



Norsat
International Inc.



Innovative Communication Solutions

LNB

C-BAND PLL

3000

HIGH STABILITY



TYPICAL SPECIFICATIONS

Noise temperature	20K to 30K depending on model number	Conversion gain	62 dB
L.O. stability (over temperature excl offset)	±2 kHz to ±25 kHz depending on model number	Output P1dB	9 dBm
Phase noise (SSB)	-80 dBc/Hz at 1kHz -85 dBc/Hz at 10kHz -95 dBc/Hz at 100kHz	Power requirements	+12 to +24 V supplied through center conductor of IF cable
Input VSWR	2.2 : 1	Current drain	250 mA
Output VSWR	2.2 : 1	Input Waveguide	CPR229G
		Dimensions	144 (L) x 70 (W) x 98 (H) mm (5.7 x 2.8 x 3.9 in)
		Weight	500 g / 17.6 oz
		Temperature Range	-40°C to +60°C
		Relative Humidity	0 - 100% condensing

FREQUENCY BANDS AVAILABLE

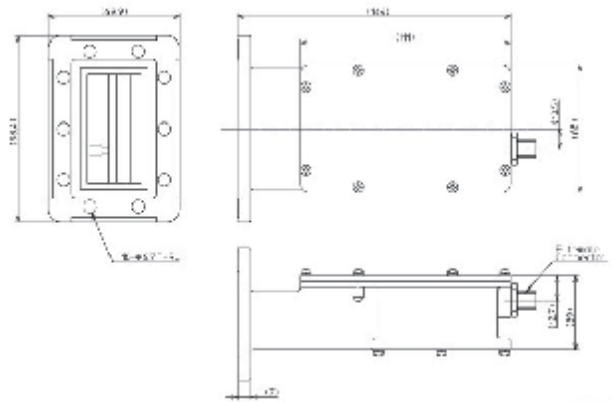
Input frequency (GHz)	3.40 to 4.20
L.O. frequency (GHz)	5.15
Output frequency (MHz)	950 to 1750

HOW TO ORDER

3120N

CONNECTOR	F - 75 Ohm N - 50 Ohm
NOISE TEMPERATURE	20 - 20 K 25 - 25 K 30 - 30 K
PART #	L.O. STABILITY
34XX	0.4 ppm - ±2 kHz
36XX	0.6 ppm - ±3 kHz
38XX	0.8 ppm - ±4 kHz
31XX	1.0 ppm - ±5 kHz
32XX	2.0 ppm - ±10 kHz
35XX	5.0 ppm - ±25 kHz
LNB SERIES #	

MECHANICAL DIAGRAM



Norsat
International Inc.

North America
+1 800 644 4562

Asia Pacific
+1 604 821 2813

Europe, Middle East & Africa
+44 1522 730 800

South America
+1 604 821 2835

Online
sales@norsat.com
www.norsat.com